



M10 HIGH SPEED PATROL BOAT (MKIII)

Main Characteristics

Length Overall	11.20	metres
Beam	3.00	metres
Draught (hull)	0.92	metres
Fuel Capacity	1,080	liters
Max. Speed	45+	knots
Range	250+	nautical miles

Structure : Aluminium Hull and Superstructure

Main Machinery

Engines	2 x 404 kW Marine Diesel Engines
Propulsion	2 x Water Jets

Complement

Crew	5
Passenger	8

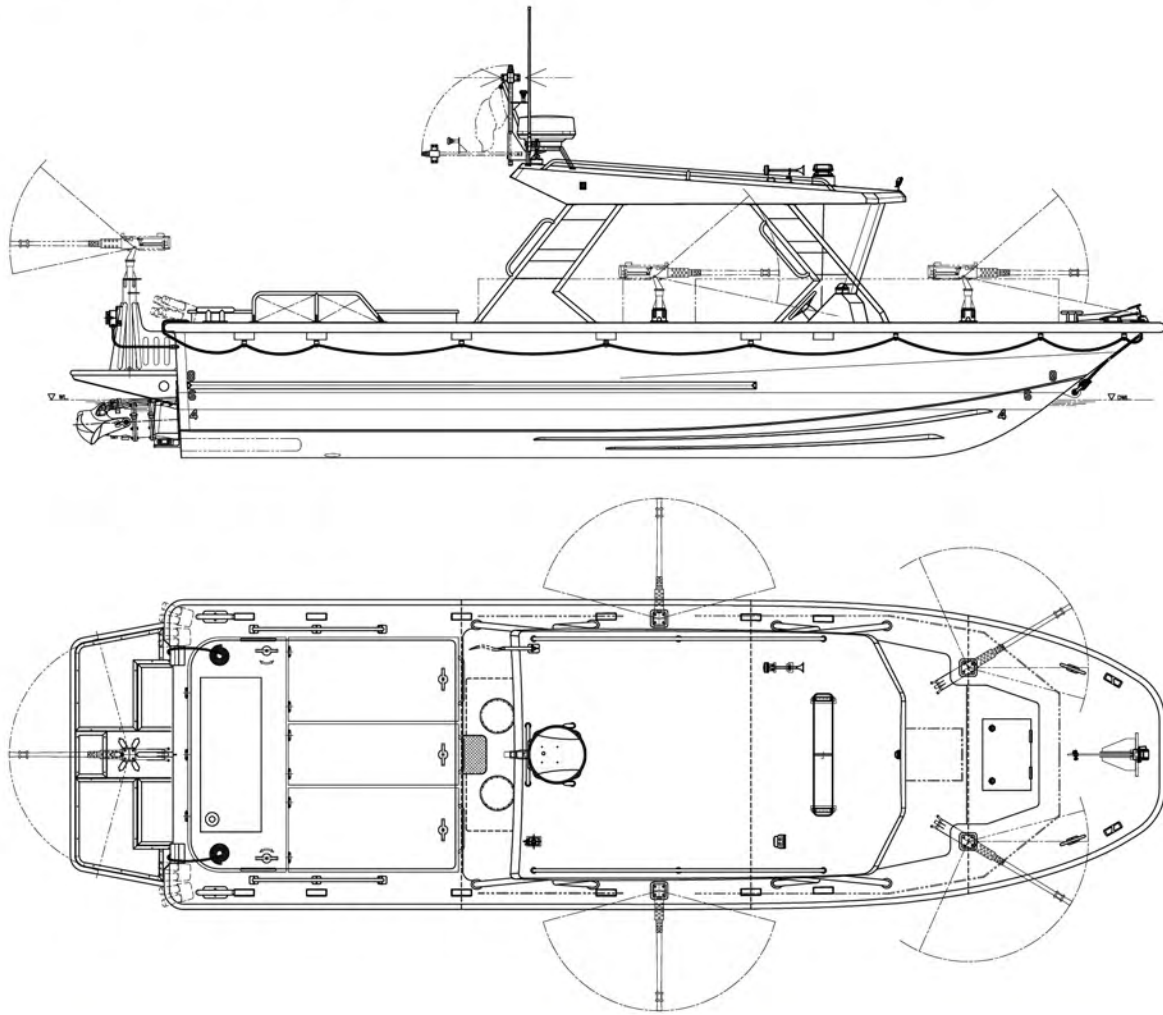
Main Missions

- ▶ Operate along the river and coastal area.
- ▶ Insertion and extraction of Thai Marine Police and other special operation forces along the shallow waterways and open water environments.
- ▶ Search and rescue operations.
- ▶ Fast interceptor.



Communication/Navigation

- VHF MOBILE STATION
- ELECTRONIC SIREN WITH PA
- GPS NAVIGATION
- RADAR X-BAND
- ECHO SOUNDER
- LIFEBOAT COMPASS



Armament

- ▶ 4x 7.62mm. Caliber Machine Gun Turrets
- ▶ AFT .50-inch Caliber Machine Gun Turret



MARSUN PUBLIC COMPANY LIMITED

413 Moo 4, Soi Sitthichai, Taiban Rd, Taiban, Muangsamutprakan, Samutprakan 10280 Thailand

Phone: +66(0)2 173-8942-51 Fax : +66(0)2173-8949 E-mail : contact@marsun.th.com

WWW.MARSUN.TH.COM